



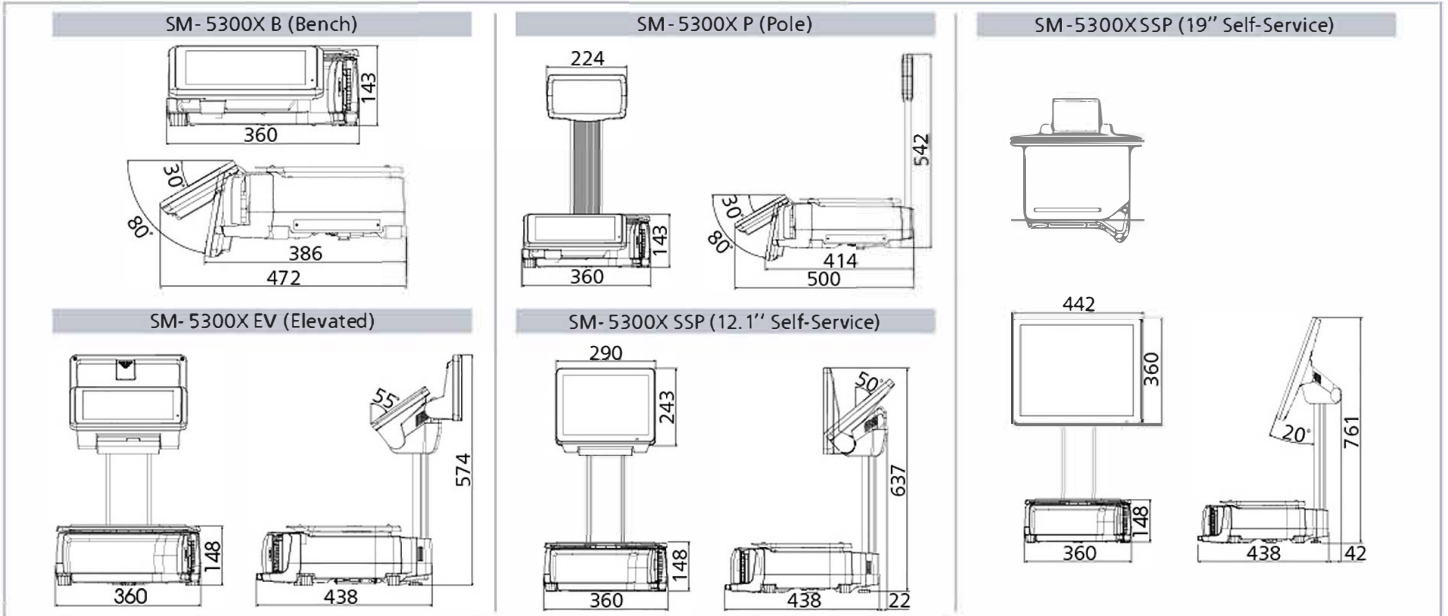
SM-5300X

PC Based System Scale Printer



SM-5300X EV

External Dimensions (mm)



Specifications

Capacity	Max 6kg	Max 15kg / 30lb	Max 30kg
Single Interval	1 / 3,000 1 / 6,000 or 1 / 7,500	e = 2g e = 1g	e = 10g e = 5g
Capacity	Max 3 / 6kg	Max 6 / 15kg	Max 15 / 30kg
Multi Interval	1 / 3,000	e = 1 / 2g	e = 5 / 10g

Model	SM-5300X B (Bench)	SM-5300X P (Pole)	SM-5300X EV (Elevated)	SM-5300X SSP (12.1" Self-Service)	SM-5300X SSP (19" Self-Service)
Dimension WxDxH(mm)	360 x 472 x 143	360 x 500 x 542	360 x 438 x 550	360 x 481 x 637	442 x 480 x 757
Operator Display	10.1" with Capacitive Wide Touchscreen (1024 x 600)	12.1" TFT SVGA with Touch (800 x 600)	19" TFT SVGA with Touch (1280 x 1024)	7" WVGA (800 x 480)	10.1" WVGA (1024 x 600)
Customer Display	10.1" WVGA (1024 x 600)	10.1" WVGA (1024 x 600)	10.1" WVGA (1024 x 600)	10.1" WVGA (1024 x 600)	10.1" WVGA (1024 x 600)
Display Resolution	1 / 3,000, 1 / 6,000 & 1 / 7,500				
Types	Liner		Linerless With Auto-Cutter		
Roll Diameter	125mm (Max)		95mm (Max)		
Label/ Print Width	60mm (Max)		60mm (Max)		
Paper Width	62mm (Max)		62mm (Max)		
Printing Speed	Up to 150mm / second*		Up to 150mm / second*		
Print Resolution	300 dpi		300 dpi		
Power Source	AC 100 / 110 or 220 / 230 / 240 Volts (50 / 60 Hz) Auto Switch				
Operating Temperature	-10°C to +40°C				
Humidity	15% to 85% RH				
Standard Interface	Ethernet 10 / 100 Base T, 4 x USB 2.0, RJ11				
Net Weight	10.7 kg	11.7 kg	13.2 kg	13.3 kg	17.0 kg



10.1" Customer Display

Add-on Option	Wireless LAN IEEE 802.11 a / b / g / n / ac, Base Station, e.Label with Hi-Touch, InfoTag, Queue Printer, Speed ID
Factory Option	Linerless Printer with Auto-Cutter

*To achieve maximum print speed, high sensitivity thermal paper is necessary.

** All the images are used for illustration purpose only.



• Specifications are subject to change without prior notice
• Meet or exceed OIML Class III requirements



www.tritanu.com